

PPC-F Bay Trail Fanless Series

12"/15"/17"/19" Fanless Intel® Bay Trail Solution

Features

- Support IEI iRIS-2400 remote intelligent solution
- Intel® Celeron® J1900 quad-core SoC
- Robust IP65 aluminum front bezel
- Aesthetic ultra-thin bezel for seamless panel mount installation
- Projected capacitive multi-touch and resistive single touch options
- Dual full-size PCIe Mini card expansion
- 9V~36V DC wide range DC input



Specifications

Model		PPC-F12B-BT	PPC-F15B-BT	PPC-F17B-BT	PPC-F19B-BT
LCD	LCD Display	12.1" (4:3)	15" (4:3)	17" (5:4)	19" (5:4)
	Max. Resolution	1024 (W) x 768 (H)	1024 (W) x 768 (H)	1280 (W) x 1024 (H)	1280 (W) x 1024 (H)
	Brightness (cd/m ²)	600	450	350	350
	Contrast Ratio	700 : 1	800 : 1	800 : 1	1000 : 1
	LCD Color	16.2M	16.2M	16.7M	16.7M
	Pixel Pitch (mm)	0.24 x 0.24	0.297 x 0.297	0.26 x 0.26	0.294 x 0.294
	Viewing Angle (H-V)	160° / 140°	160° / 150°	170° / 160°	170° / 160°
	Backlight MTBF (hrs)	50000	70000	50000	50000
Motherboard	CPU	Intel® Celeron® processor J1900 (2M cache, up to 2.42 GHz)			
	RAM	2 x 204-pin DDR3L SO-DIMM slot (max. 8GB), pre-installed with 2GB			
Touch	Touchscreen & Controller	5-wire resistive single touch window, 3H/Penmount DMC9000 (Anti-glare Surface) 10-point Projected capacitive touch window, 6H/EET1 EXC3188 (Anti-UV, Anti-glare Surface)			
Input Interfaces	I/O Ports & Switches	2 x RJ-45 LAN port 2 x USB 3.2 Gen 1 (5Gb/s) 2 x USB 2.0 1 x HDMI 2 x RS-232 1 x RS-232/422/485 1 x VGA 1 x 9 V~36 V DC jack (4-pin) 1 x 9 V~36 V DC terminal block 1 x Line-out (PPC-F15B & PPC-F17B & PPC-F19B only) 1 x Power switch			
	Expansion	1 x Full-size PCIe Mini slot (mSATA/PCIe/USB signal) 1 x Full-size/half-size PCIe Mini slot (PCIe/USB signal)			
Wireless LAN		802.11 b/g/n (optional)			
Drive Bay		1 x 2.5" HDD/SSD drive bay			
Remote Management Solution		iRIS-2400			
Physical	Construction Material	Aluminum front panel and sheet metal rear cover			
	Mounting	Panel mount, rack mount, VESA 100x100			
	Enclosure Color	Black C			
	Dimensions (mm) (W x L x D)	262.2 x 322.2 x 47.2	303 x 378.5 x 46.2	341.4 x 408.4 x 51.8	372.4 x 447.4 x 52.87
	Weight (Net)	3.2 kg	4.1 kg	5 kg	6.5 kg
	Cutout Dimensions (mm)	244.8 x 304.8	285.6 x 361	323 x 390	355 x 430
Environment	Operating Temperature (with air flow)	-10°C~50°C (14°F~122°F)			
	Storage Temperature	-20°C~60°C (-4°F~140°F)			
	Humidity	10% to 95% (non-condensing)			
	IP Level	IP 65 compliant front panel			
	Safety and EMC	CE & FCC Class A certified			
Power	Power Adapter	P/N: 63040-010060-220-RS 60W Power Adapter Input: 90 ~ 264V AC, 50/60Hz Output: 12V DC			
	Power Requirement	9 V~36 V DC			
	Power Consumption	40W	41W	42W	33W

Ordering Information

Part No.	Description
PPC-F12B-BTi-J1/2G/PC-R13	12.1" 600 cd/m ² XGA Panel PC with Intel® Celeron® Processor J1900, TDP 10W, 2GB RAM*1, support iRIS-2400, black color, 9-36V DC input, projected capacitive touch window with AG coating, R13
PPC-F12B-BTi-J1/2G/R-R13	12.1" 600 cd/m ² XGA Panel PC with Intel® Celeron® Processor J1900, TDP 10W, 2GB RAM*1, support iRIS-2400, black color, 9-36V DC input, resistive touch window with AG coating, R13
PPC-F15B-BTi-J1/2G/PC-R23	15" 450 cd/m ² XGA Panel PC with Intel® Celeron® Processor J1900, TDP 10W, 2GB RAM*1, support iRIS-2400, black color, 9-36V DC input, projected capacitive touch with AG coating, R23
PPC-F15B-BTi-J1/2G/R-R23	15" 450 cd/m ² XGA Panel PC with Intel® Celeron® Processor J1900, TDP 10W, 2GB RAM*1, support iRIS-2400, black color, 9-36V DC input, resistive touch window with AG coating, R23
PPC-F17B-BTi-J1/2G/PC-R13	17" 350 cd/m ² SXGA Panel PC with Intel® Celeron® Processor J1900, TDP 10W, 2GB RAM*1, support iRIS-2400, black color, 9-36V DC input, projected capacitive touch window with AG coating, R13
PPC-F17B-BTi-J1/2G/R-R13	17" 350 cd/m ² SXGA Panel PC with Intel® Celeron® Processor J1900, TDP 10W, 2GB RAM*1, support iRIS-2400, black color, 9-36V DC input, resistive touch window with AG coating, R13
PPC-F19B-BTi-J1/2G/PC-R12	19" 350 cd/m ² SXGA Panel PC with Intel® Celeron® Processor J1900, TDP 10W, 2GB RAM*1, support iRIS-2400, black color, 9-36V DC input, AG projected capacitive touch window, R12
PPC-F19B-BTi-J1/2G/R-R12	19" 350 cd/m ² SXGA Panel PC with Intel® Celeron® Processor J1900, TDP 10W, 2GB RAM*1, support iRIS-2400, black color, 9-36V DC input, AG resistive touch window, R12

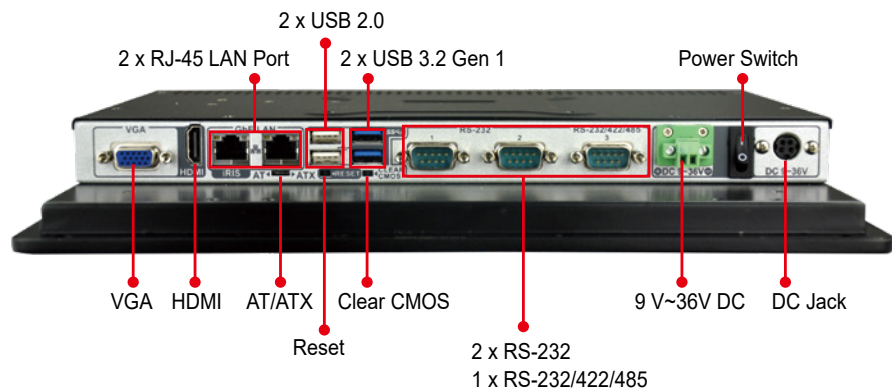
Options

Item	PPC-F12B	PPC-F15B	PPC-F17B	PPC-F19B
Arm	ARM-31-RS			
Stand	STAND-C12-R10 STAND-A12-RS	STAND-C19-R10 STAND-A19-RS	STAND-C19-R10 STAND-A19-RS	STAND-C19-R10 STAND-A19-RS
Wall Mount Kit	WK-190MS-R10			
Panel Mount Kit	FPK-09-R10	FPK-10-R10	FPK-10-R10	FPK-11-R10
Rack Mount Kit	FRK12-R10	FRK15-R10	FRK17-R10	FRK19P-R10
Wi-Fi Kit	EMB-WIFI-KIT01-R20	EMB-WIFI-KIT11-R20	EMB-WIFI-KIT11-R20	EMB-WIFI-KIT11-R20
iRIS (IEI Remote Intelligent System) Kit	iRIS-2400-RS			

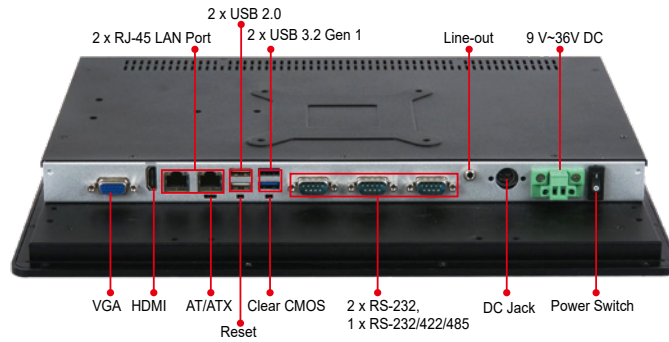
Packing List

Item	Qty	Remark
PPC-FxxB-BTi Panel PC	1	
Power Cord	1	Part numbers vary by regions
Screw Pack	1	Including necessary screws
Power Adapter	1	9V~36V DC (P/N: 63040-010060-220-RS)

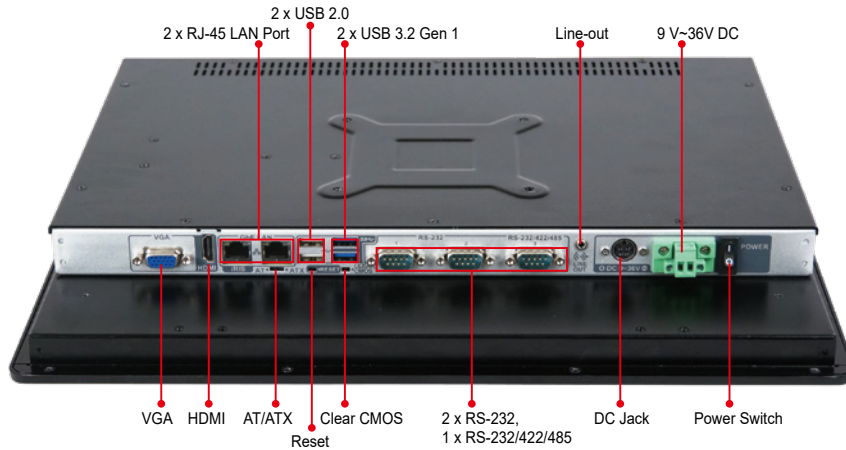
PPC-F12B Fully Integrated I/O



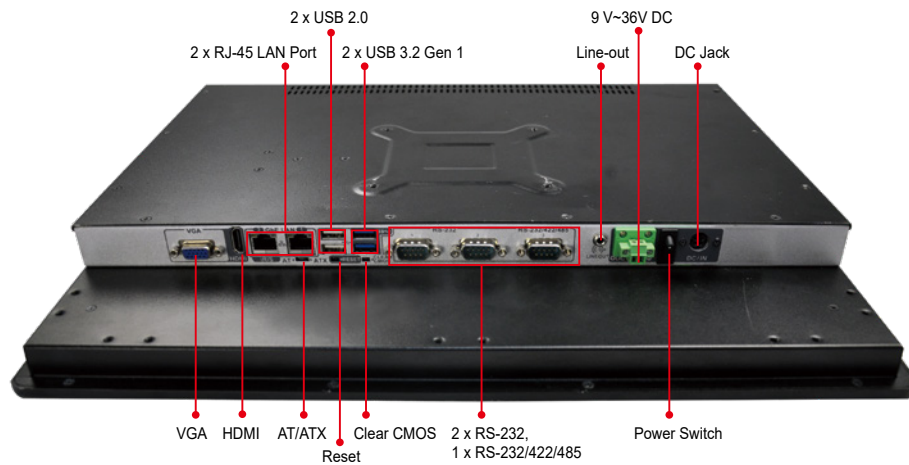
PPC-F15B
Fully Integrated I/O



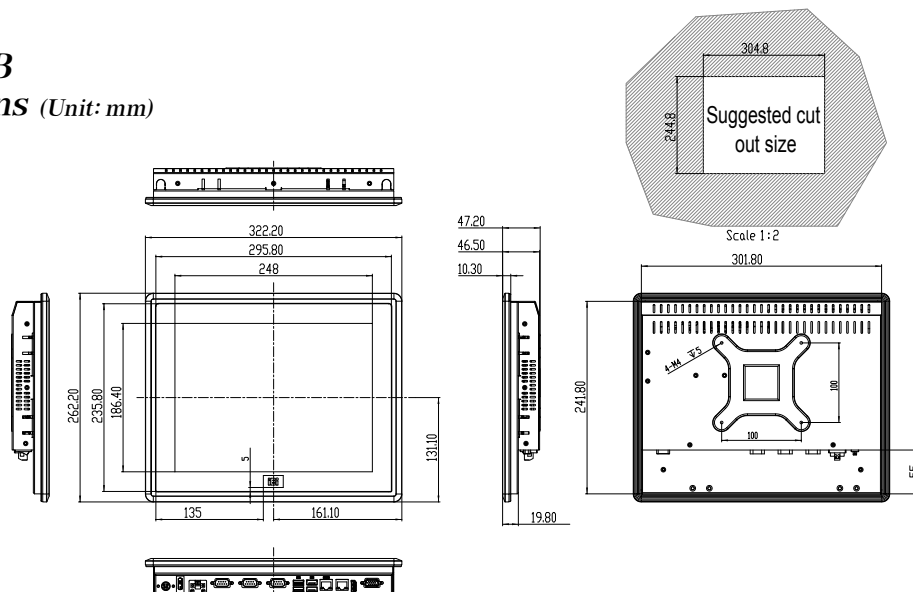
PPC-F17B
Fully Integrated I/O



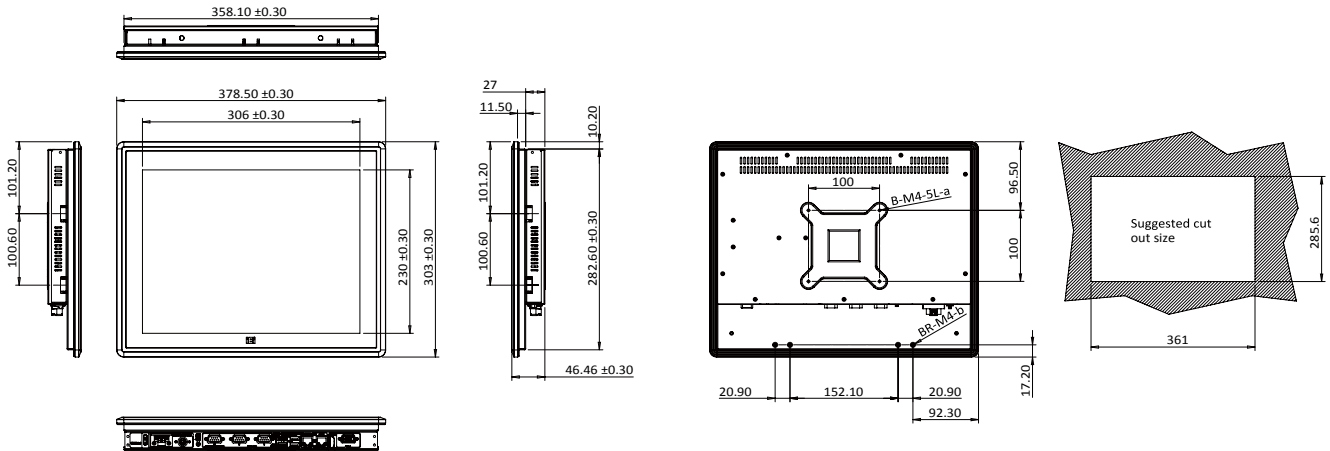
PPC-F19B
Fully Integrated I/O



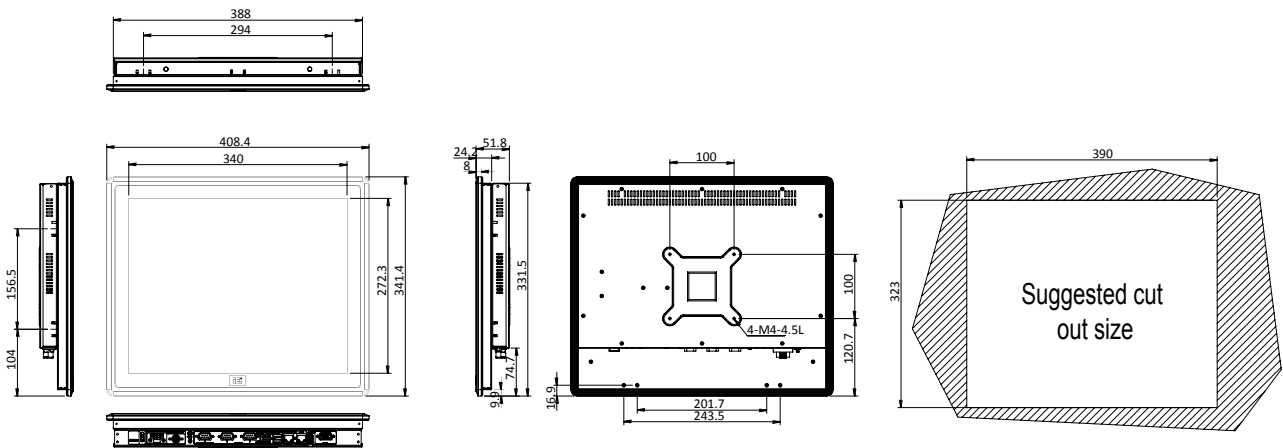
PPC-F12B
Dimensions (Unit: mm)



PPC-F15B Dimensions (Unit: mm)



PPC-F17B Dimensions (Unit: mm)



PPC-F19B Dimensions (Unit: mm)

