

# DRPC-240-TGL TSN/TCC Developer Kit



## Features

- 11th Gen Intel® Core™ i5-1145GRE Processor
- Four 2.5 GbE LAN ports
- Two USB 3.2 Gen 2 (10Gb/s)
- Four isolated COM ports
- Modularized flexible expansion
- Supports the Mustang AI accelerator card
- Intel® Time Coordinated Computing Tools (Intel® TCC Tools)
- Supports Time Sensitive Networking (TSN)
- Supports Time-Aware GPIO (TGPIO)

## Specifications

Model		DRPC-240-TGL TSN/TCC Developer Kit
Form Factor	Dimensions	190x150x81mm (DRPC-240AI-i5RCS-R10) 190x150x126mm (DRPC-240AI-i5RC-R10)
	System Fan	DRPC-240AI-i5RCS-R10: Fanless DRPC-240AI-i5RC-R10: Fan
Motherboard	CPU	Intel® Core™ i5-1145GRE Processor 1.50GHz (up to 4.10GHz, quad core, TDP 12W to 28W)
	Chipset	SoC
	System Memory	2 x SO-DIMM DDR4 3200MHz (8GB pre-installed, up to 64GB)
Storage	Hard Drive	1 x 2.5" SATA 6Gb/s HDD/SSD bay (256GB SSD pre-installed)
I/O Interfaces	USB	2 x USB 3.2 Gen 2 2 x USB 2.0
	Ethernet	1 x RJ-45 PCIe 2.5 GbE via Intel® I225LM 3 x RJ-45 PCIe 2.5 GbE via Intel® I225V (colay i225LM) (Optional PoE at power board )
	COM	2 x RS-232 (DB9 with 2.5KV isolation, 1 reserved for TGPIO and console port) 2 x DB9 RS-422/485 with AFC (DB9 with 2.5KV isolation)
	DIO	1 x 12-bit digital I/O (6-in/6-out) (pin header)
	Display	1 x Lockable HDMI (up to 3840 x 2160 @ 30Hz) 1 x DP++ (up to 4096 x 2160 @ 60Hz)
	TPM 2.0	Supports Intel® Platform Trust Technology (Intel® PTT)
Expansion Slots	M.2	1 x 2230 A-key (PCIe x1 / USB 2.0) 1 x 3042/52/80 B-key (PCIe x2 / USB 2.0) with SIM slot
	Backplane	1 x PCIe Gen3 x4 (DRPC-240AI-i5RC only)
Miscellaneous	Indicator	2 x LED (HDD, Power)
	Button	1 x Power button 1 x Reset button 1 x AT/ATX switch 1 x Remote power connector
Power	Power Input	3-pin terminal block: 12 ~ 28 VDC
	Remote Power	2-pin terminal block
Reliability	Mounting	DIN-Rail
	Operating Temperature	-20°C ~ 60°C with air flow (with SSD)
	Storage Temperature	-40°C ~ 85°C
	Humidity	10% ~ 95%, non-condensing
	Operating Shock	Half-sine wave shock 5G, 11ms, 100 shocks per axis (with SSD)
	Operating Vibration	MIL-STD-810G 514.6C-1 (with SSD)
	Weight (Net / Gross)	1.5kg / 2.9kg (DRPC-240AI-i5RCS-R10) 1.9kg / 3.3kg (DRPC-240AI-i5RC-R10)
	Safety / EMC	CE / FCC
OS	Supported OS	Windows 10, Linux

## Ordering Information

Part No.	Description
DRPC-240AI-i5RC-R10	Fan embedded system, Intel® Core™ i5-1145GRE 1.50GHz (quad core), 8GB DDR4 pre-installed, HDMI/DP, 4 x 2.5GbE LAN, 4 x COM, DIO, 12~28VDC, 256GB SSD, 120W power adapter, PCIe x4 expansion layer, RoHS
DRPC-240AI-i5RCS-R10	Fanless embedded system, Intel® Core™ i5-1145GRE 1.50GHz (quad core), 8GB DDR4 pre-installed, HDMI/DP, 4 x 2.5GbE LAN, 4 x COM, DIO, 12~28VDC, 256GB SSD, 120W power adapter, RoHS

\*MOQ 100pcs are required

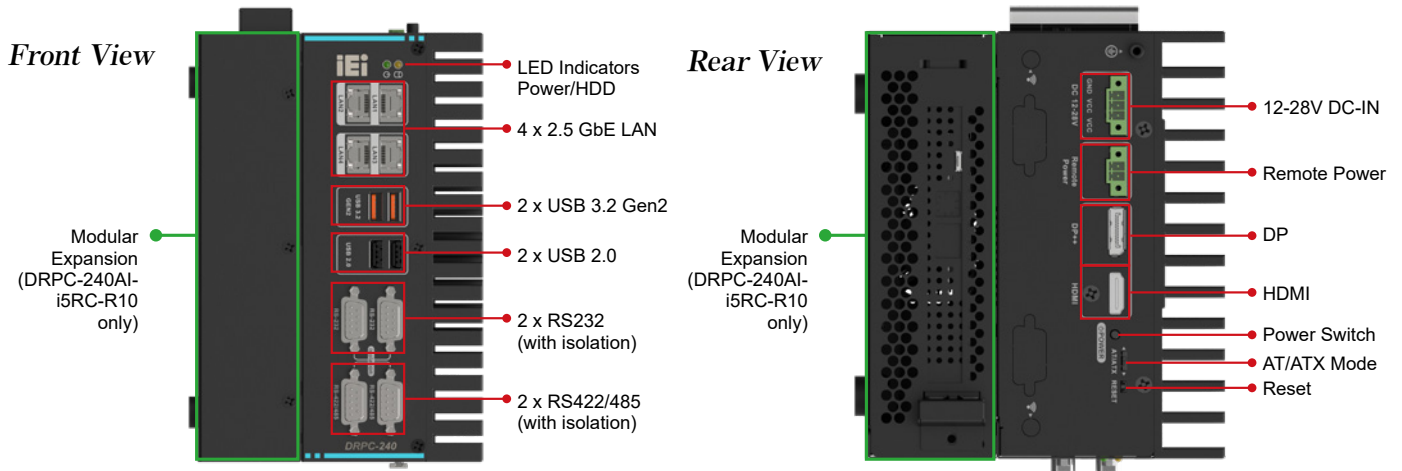
## AI Accelerator Card Options

Part No.	Description
Mustang-V100-MX8-R20	Computing Accelerator Card with 8 x Intel® Movidius™ Myriad™ X MA2485 VPU, PCIe Gen2 x4 interface, RoHS

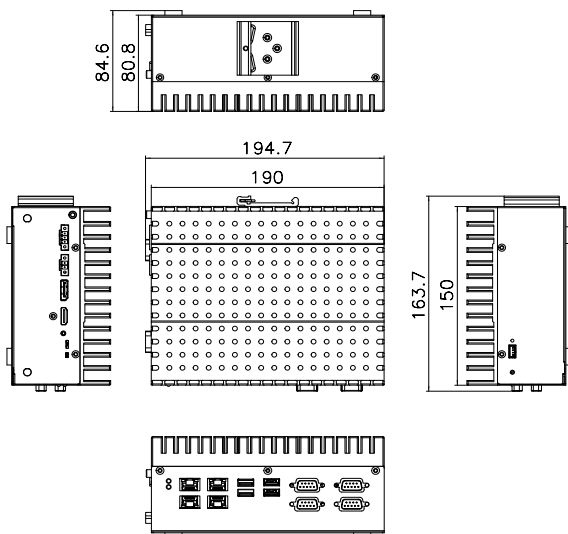
## Packing List

1 x Chassis Screw	1 x DIN-Rail Mounting Kit	1 x Quick Start Guide
1 x 120W Adapter	1 x Power Cord	

## I/O Locations



### DRPC-240AI-i5RCS-R10 Dimensions (Unit: mm)



### DRPC-240AI-i5RC-R10 Dimensions (Unit: mm)

